

Build
Your
Own

TWEETSIE®

RAILROAD

3-D

Holiday Tender 2011

ASSEMBLY INSTRUCTIONS

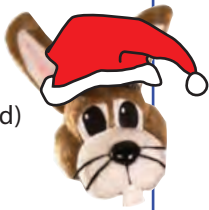
Time to complete: Approx. 40 minutes • Difficulty level: Easy



GET STARTED

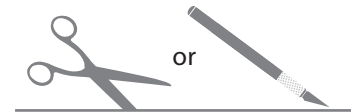
materials:

- Metal-edged Ruler
- Glue (tacky craft glue or rubber cement)
- Butter knife (recommended)
- Scissors or craft knife (have an adult help)

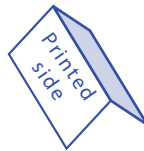
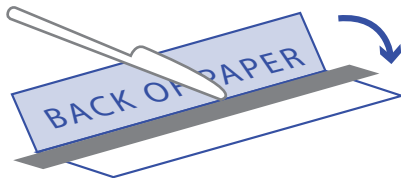


1. Print out with a color desktop printer. Use "fit to page" option if needed, and set to maximum print area. Regular copy paper will work, heavier paper like card stock may work better.

2. Use scissors or a craft knife to cut out all the pieces along outer edges and where shown in pink. Have an adult help.



3. To help with folding, score all the pieces using the ruler for a guide and run the back side of the butter knife along the corner edges and tabs. Fold back all corners & tabs. (most all fold back to create a "peak" fold)



An example of a "peak" fold.

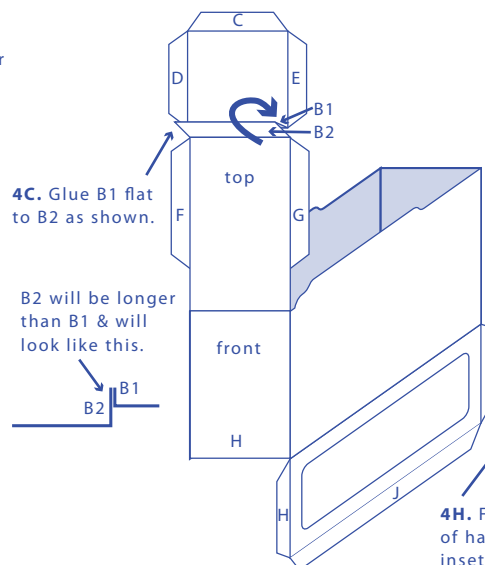
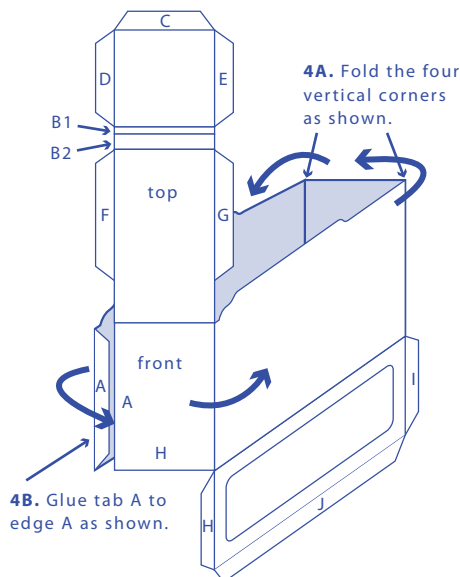


An example of a "valley" type fold.

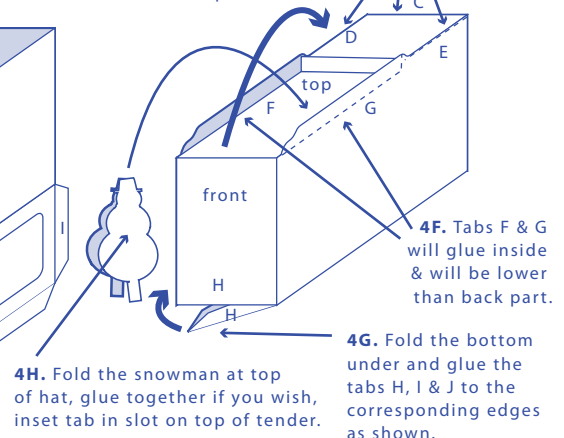


ASSEMBLY OF YOUR TRAIN

4. After everything is cut, scored & folded, start with the main body of the tender. Begin with tab A & glue to edge A, then fold & glue B1 to B2. Proceed with steps C, D, E, etc.



4D. Fold the top and glue tabs C, D, E, F & G inside of back & side panels.



4H. Fold the snowman at top of hat, glue together if you wish, inset tab in slot on top of tender.

