

Build  
Your  
Own

# TWEETSIE<sup>®</sup>

## RAILROAD

### 3D

## Frontier Outpost



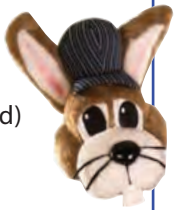
# ASSEMBLY INSTRUCTIONS

Time to complete: Approx. 35 minutes • Difficulty level: Easy

## GET STARTED

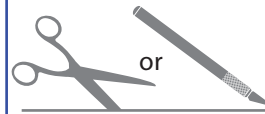
### materials:

- Metal-edged Ruler
- Glue (tacky craft glue or rubber cement)
- Butter knife (recommended)
- Scissors or craft knife (have an adult help)

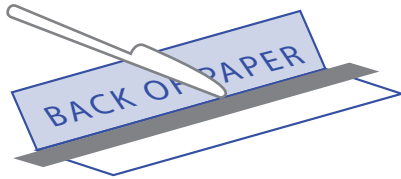


**1.** Print out with a color desktop printer. Use "fit to page" option if needed, and set to maximum print area. Regular copy paper will work, heavier paper like card stock may work better.

**2.** Use scissors or a craft knife to cut out all the pieces along outer edges and where shown in pink. Have an adult help.



**3.** To help with folding, score all the pieces using the ruler for a guide and run the back side of the butter knife along the corner edges and tabs. Fold back all corners & tabs. (most all fold back to create a "peak" fold)



An example of a "peak" fold.



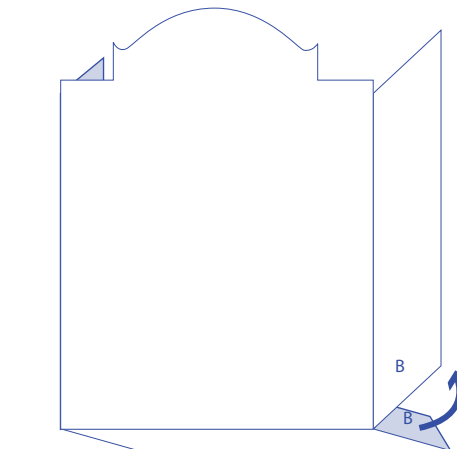
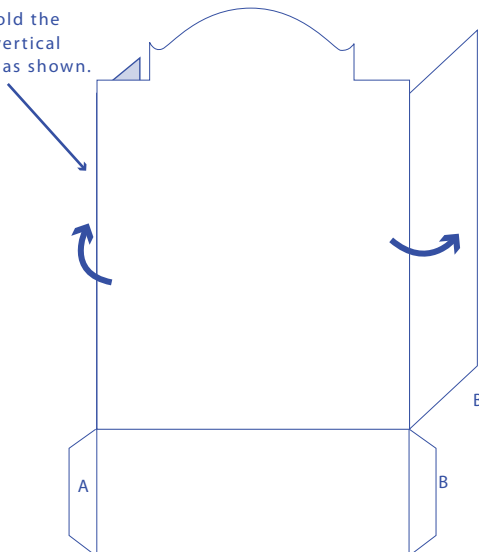
An example of a "valley" type fold.



## ASSEMBLY OF YOUR TWEETSIE TOWN, FRONTIER OUTPOST

**4.** After everything is cut, scored & folded, start with the corners of the building(s). Begin with tab A & glue to edge A, then fold the front & glue tab B to edge B. If the building has a roof, fold & glue it as well. It's basically a box. The people stand up by simply folding their base where shown.

**4a.** Fold the Two vertical sides as shown.



**4b.** Fold the bottom and glue tabs as shown.

**4c.** For buildings that have a roof, simply fold down and glue tabs.

**4d.** Character stands simply fold back as shown here.

